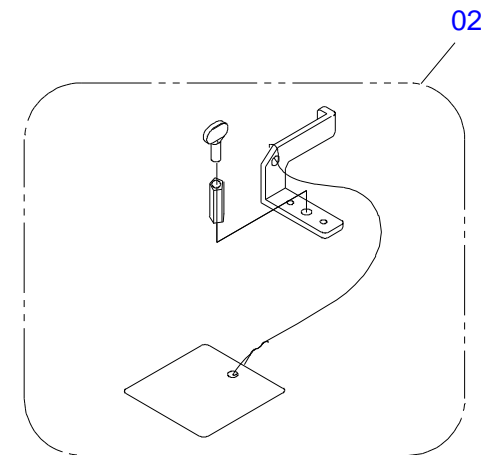
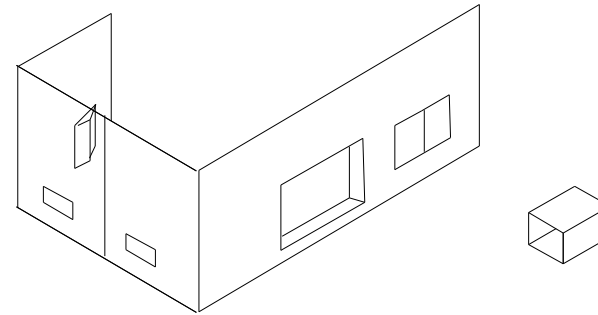
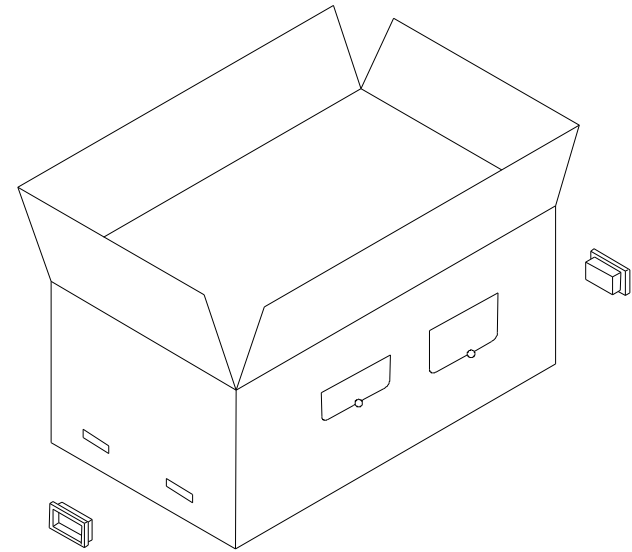
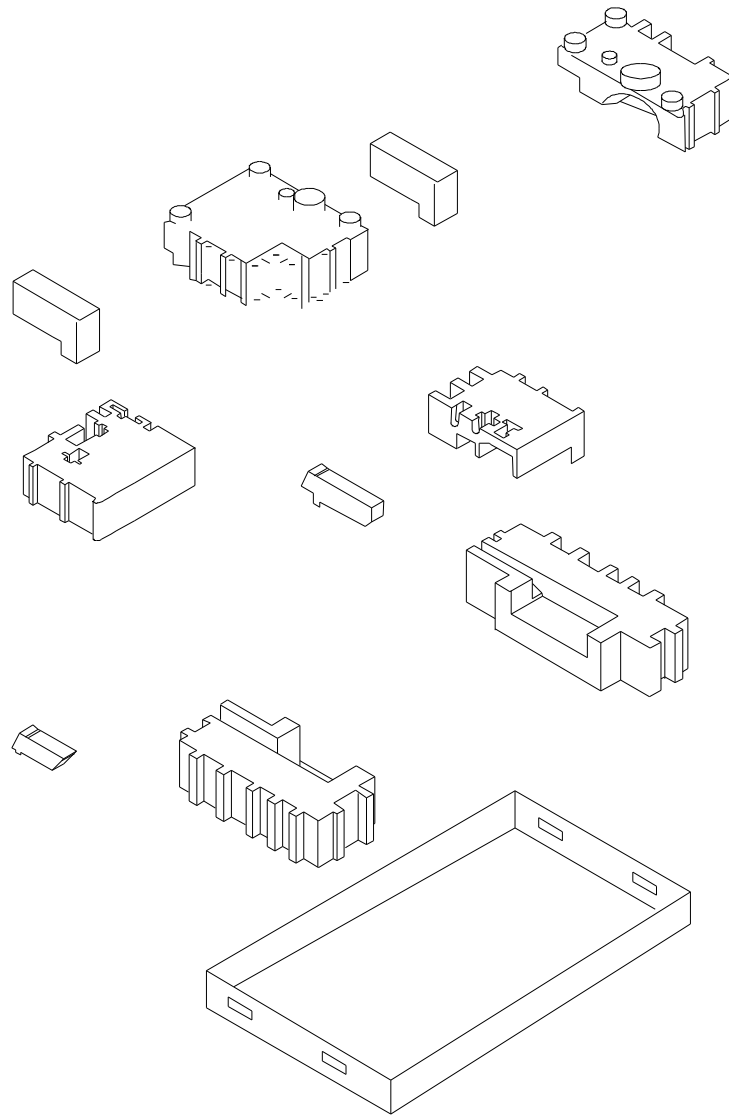
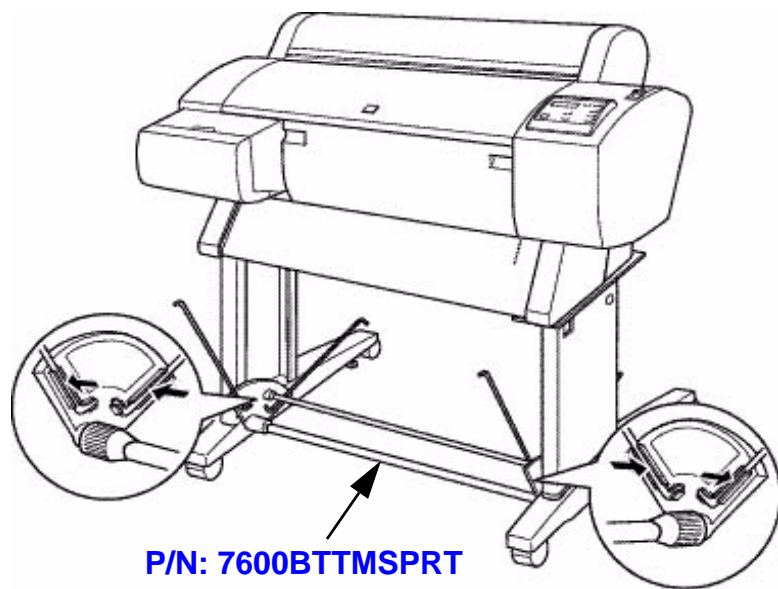
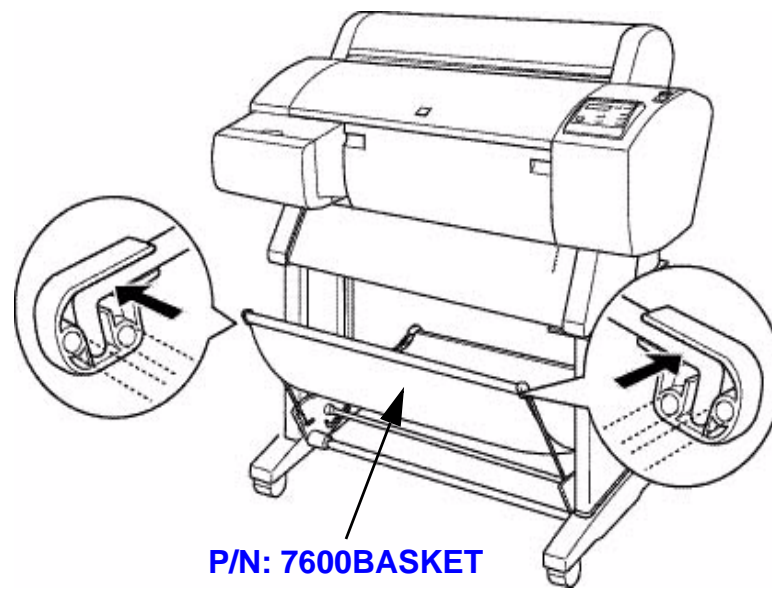


*REF# 01 PACKING SET including all this page

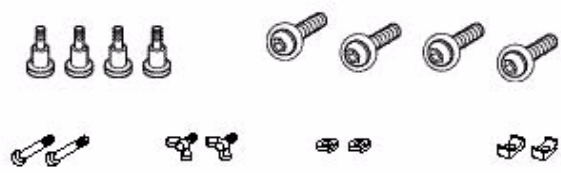




P/N: 7600BTTMSPRT



P/N: 7600BASKET



P/N: 7600SCREWS